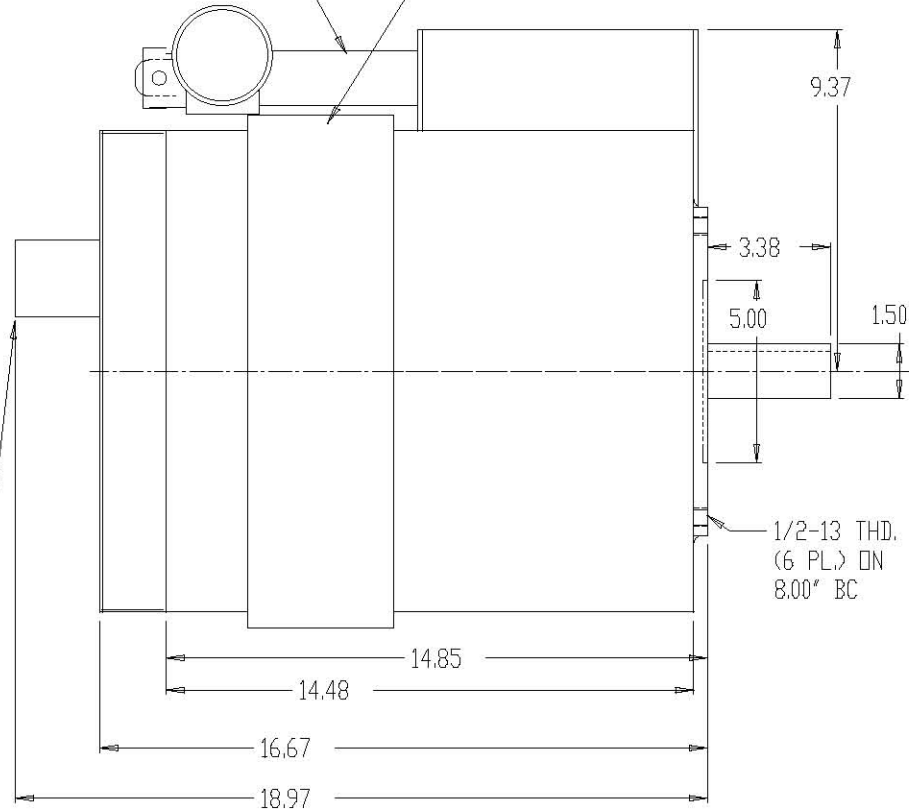


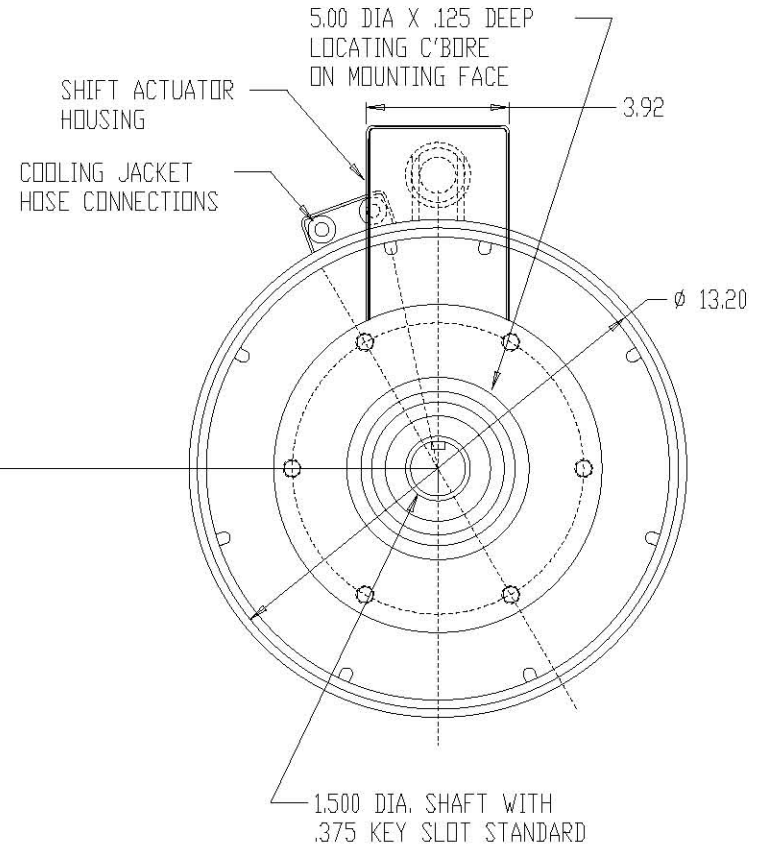
REVISIONS			
REV	DESCRIPTION	DATE	APPROVED

SHIFT ACTUATOR
3.0" STROKE

COOLING JACKET



PHASE CABLE
CONDUIT FITTING



STANDARD TOLERANCES -
UNLESS OTHERWISE NOTED:
0.00 = +/- .010"
0.000 = +/- .003
0.0000 = +/- .0010"

VARIABLE TORQUE MOTORS, LLC

4501 EARHART LN.
FT. WAYNE, IN 46809
TOLL FREE (888)-747-6633

2104A MOTOR OUTLINE

CADKEY DATABASE - NO MANUAL REVISIONS	SIZE B	FSCM NO.	DWG NO. 2104ADOUTR01	REV
	SCALE		SHEET 1 OF 1	