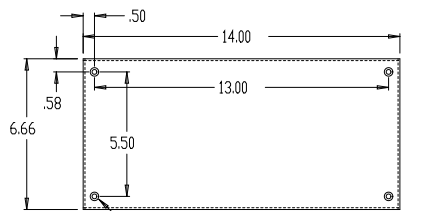
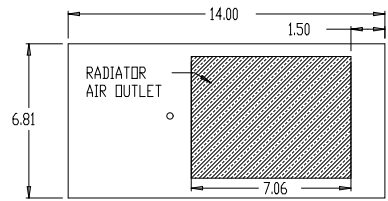
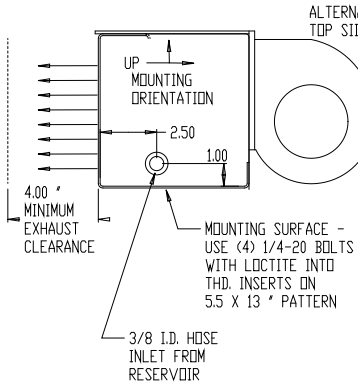


REVISIONS			
REV	DESCRIPTION	DATE	APPROVED



1/4-20 ALUMINUM NUTSERT INSTALLED FROM OUTSIDE (4 PL.)

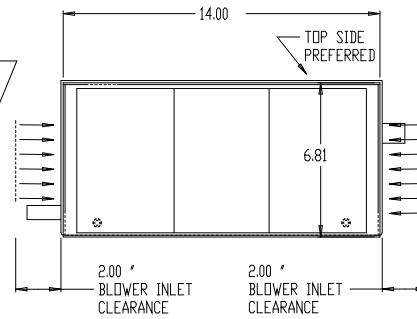
BOTTOM VIEW



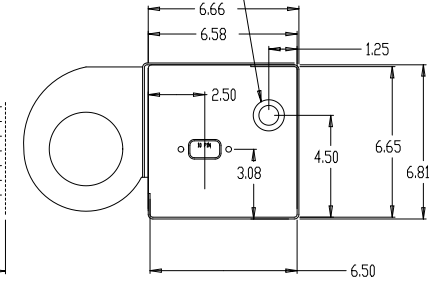
ALTERNATE TOP SIDE

MOUNTING SURFACE - USE (4) 1/4-20 BOLTS WITH LOCTITE INTO THD. INSERTS ON 5.5 X 13" PATTERN

3/8 I.D. HOSE INLET FROM RESERVOIR



FLUID OUTLET - TO CONTROLLER MODULE - HOSE BARB FOR 1/2" ID



STANDARD TOLERANCES - UNLESS OTHERWISE NOTED:
 0.00 = +/- .010"
 0.000 = +/- .003
 0.0000 = +/- .0010"

VARIABLE TORQUE MOTORS, LLC

4501 EARHART LN.
 FT. WAYNE, IN 46809
 TOLL FREE (888)-747-6633

HYBRID_COOLING_OUTLINE_R02

CADKEY DATABASE - NO MANUAL REVISIONS	SIZE B	FSCM NO.	DWG NO. H_COOLING_R02	REV
SCALE				SHEET 1 OF 1